

MARKET RELEASE

Model 582 Hydraulic Installation Tool

The 582 installs 5/8" C50L and HUCKBOLT® fasteners. This companion tool to the eccentric 6304 now allows choosing a tool when center-to-edge distance is not critical.

The Model 582 Tool's features include:

Built-in nose assembly designed to install a specific size fastener provides short overall length for tight, hard-to-reach spots.

In-line piston for one stroke high production applications

Front and rear wipers combined with POLY-SEALS decrease tool downtime

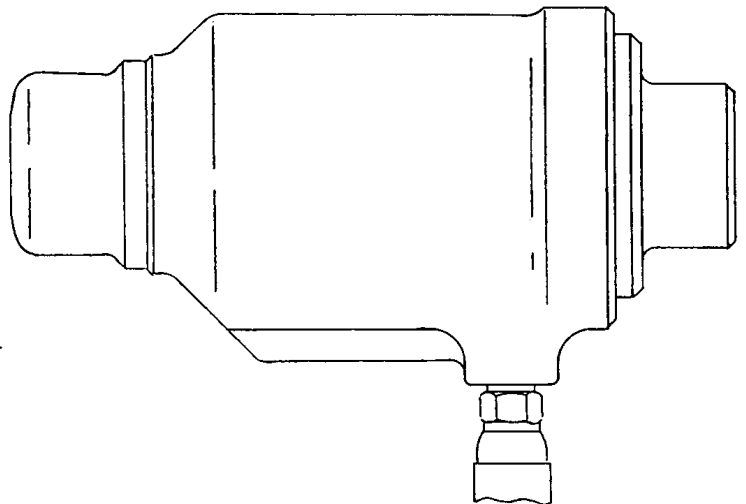
GLYD RING on piston enhances pulling capacity

Pass-thru follower is supplied with tool

Pulling capacity 8000 psi: 32235 lbs. (55200 kPa)

Stroke: 1.50 nominal

Equipped with hoses, couplers and switch/electrical cord



Continued on other side - -



Installation Equipment Division
P.O. Box 2270
Kingston, New York 12401-0250

Date 9-10-93
No. 360

Specifications

Length	8.25 in.	209.6 mm
Width	3.64 in.	92.5 mm
Height	4.34 in.	110.2 mm
Center-to-edge	1.72 in.	43.7 mm
Weight	16.0 lbs.	7.3 kg
Stroke	1.5 (nom.)	38.1 mm (nominal)